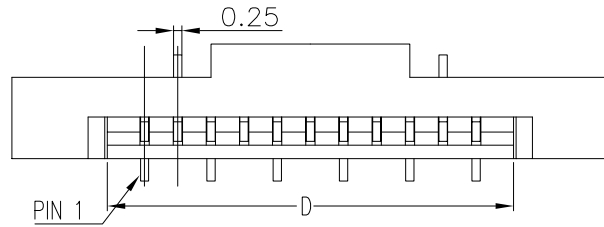


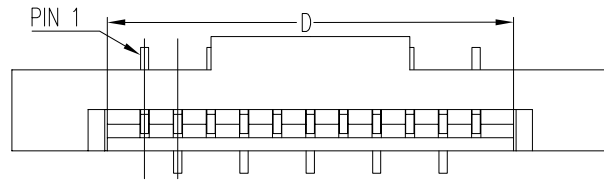
The product using material and processing must conform to the "WL-PZ-001" HSF technical standard control requirements

RoHS

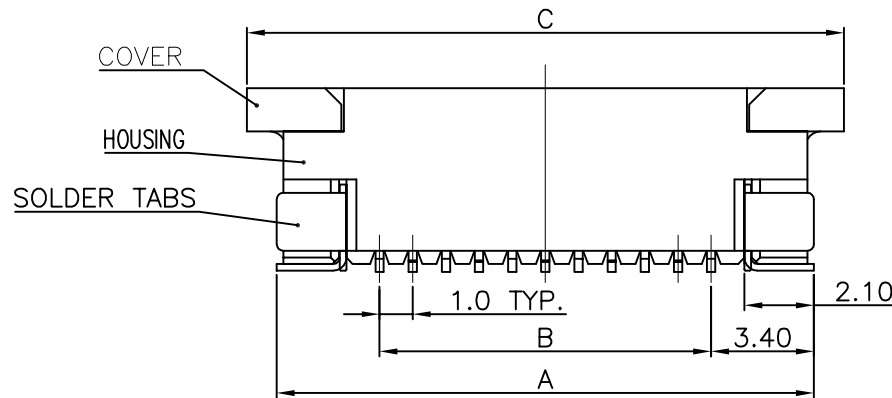
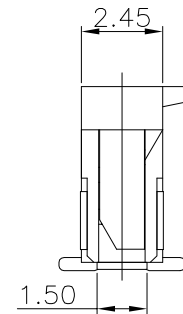
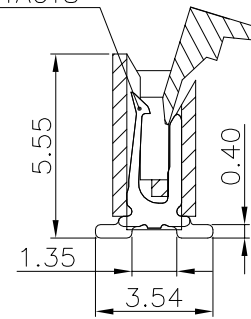
A TYPE



B TYPE



CONTACTS



NOTE:

1.MATERIAL SPECIFICATION:

- 1-1.HOUSING: PA9T,UL94-V0,
- 1-2.COVER: PPS,UL94-V0,BLACK
- 1-3.CONTACTS: PHOSPHOR BRONZE
- 1-4.SOLDER TABS: BRASS

2.PLATING SPECIFICATION:

- 2-1.CONTACTS:
TIN/GOLD FLASH PLATED OVER ALL.
- 2-2.SOLDER TABS:
TIN/GOLD FLASH PLATED OVER ALL.

3.MECHANICAL PERFORMANCE:

- 3-1.RETENTIVITY FORCE: 0.03KGF/pin min
- 3-2.DURABILITY: 20 CYCLES.

4.ELECTRICAL PERFORMANCE:

- 4-1.CURRENT RATING: 0.5A
RATED VOLTAGE : 30V AC/DC
- 4-2.CONTACT RESISTANCE: 20 mΩ MAX
- 4-3.INSULATION RESISTANCE: 100MΩ Min
- 4-4.DIELECTRIC WITHSTANDING : 250V

5.ENVIRONMENTAL PERFORMANCE:

- 5-1.OPERATING TEMPERATURE: -40°C~+85°C.

6.PACKAGE SPEC :REEL

7.P/N:

F1003 55 F 0-2 XX 2 X X X 01

SERIES NO:

HEIGHT:
55: 5.5mm

MALE FEMALE:
F-FEMALE

ANGLE:
0-180°

ROW NO:
2-DOUBLE ROW

PIN Q'PY:
04~34

CONTACT:
1-A TYPE(正脚位)
2-B TYPE(反脚位)

COLOR:
A-BLACK
K-WHITE
S-NATURE

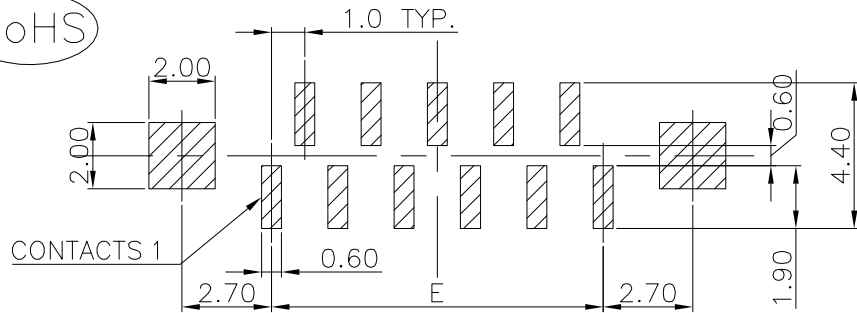
PLATING:
A-ALL AU G/F
C-BRIGHE TIN
D-MATTE Tin

TERMIPOINT:
2-SMT

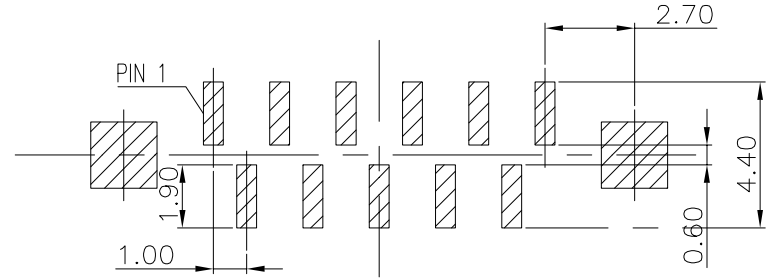
REV.	REVISION RECORD	DATE		GENERAL TOLERANCES		SCALE: 1:1	NAME	DATE	PART.NO: F100355F0-2XX2XXX01	DWG.NO: ENDE05	 WanLian Teconology Co., Ltd	
A0	NEW RELEASE	22.07.07		LINEAR	ANGLES	APPROVED	Wang_jr	22.07.07				
			UNIT:mm	0.00±0.25	X'±3°	DESIGNER	Han_Gao	22.07.07	TITLE: FPC 1.0Pitch-H2.5立贴上/下接触抽屉式	REV: A0		SHEET: 1/3
			SIZE: A4	0.000±0.10	X'X' ±2°	DRAWN	LanXuan_Hou	22.07.07				

The product using material and processing must conform to the "WL-PZ-001" HSF technical standard control requirements

RoHS



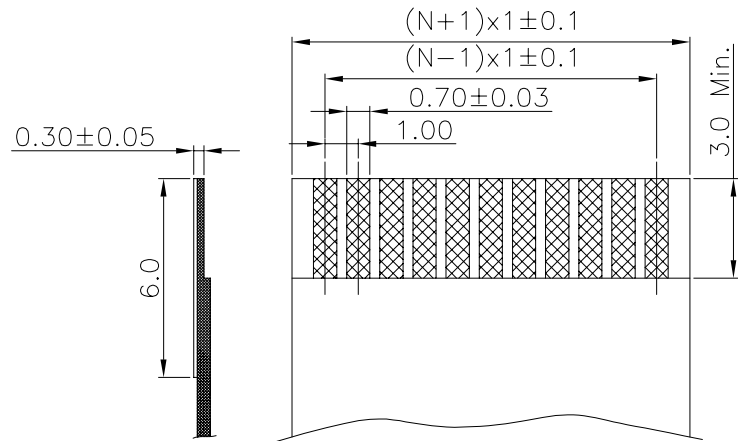
(RECOMMENDED PCB LAYOUT) A TYPE




(RECOMMENDED PCB LAYOUT) B TYPE

Ordering Information & Dimensions

Circuit	Dimensions(mm)				
	A±0.20	B±0.15	C±0.25	D±0.10	E±0.15
4P	9.85	3.00	11.00	5.05	3.00
5P	10.85	4.00	12.00	6.05	4.00
6P	11.85	5.00	13.00	7.05	5.00
7P	12.85	6.00	14.00	8.05	6.00
8P	13.85	7.00	15.00	9.05	7.00
9P	14.85	8.00	16.00	10.05	8.00
10P	15.85	9.00	17.00	11.05	9.00
11P	16.85	10.00	18.00	12.05	10.00
12P	17.85	11.00	19.00	13.05	11.00
13P	18.85	12.00	20.00	14.05	12.00
14P	19.85	13.00	21.00	15.05	13.00
15P	20.85	14.00	22.00	16.05	14.00
16P	21.85	15.00	23.00	17.05	15.00
17P	22.85	16.00	24.00	18.05	16.00
18P	23.85	17.00	25.00	19.05	17.00
19P	24.85	18.00	26.00	20.05	18.00
20P	25.85	19.00	27.00	21.05	19.00
21P	26.85	20.00	28.00	22.05	20.00
22P	27.85	21.00	29.00	23.05	21.00
23P	28.85	22.00	30.00	24.05	22.00
24P	29.85	23.00	31.00	25.05	23.00
25P	30.85	24.00	32.00	26.05	24.00
26P	31.85	25.00	33.00	27.05	25.00
27P	32.85	26.00	34.00	28.05	26.00
28P	33.85	27.00	35.00	29.05	27.00
29P	34.85	28.00	36.00	30.05	28.00
30P	35.85	29.00	37.00	31.05	29.00
31P	36.85	30.00	38.00	32.05	30.00
32P	37.85	31.00	39.00	33.05	31.00
33P	38.85	32.00	40.00	34.05	32.00
34P	39.85	33.00	41.00	35.05	33.00

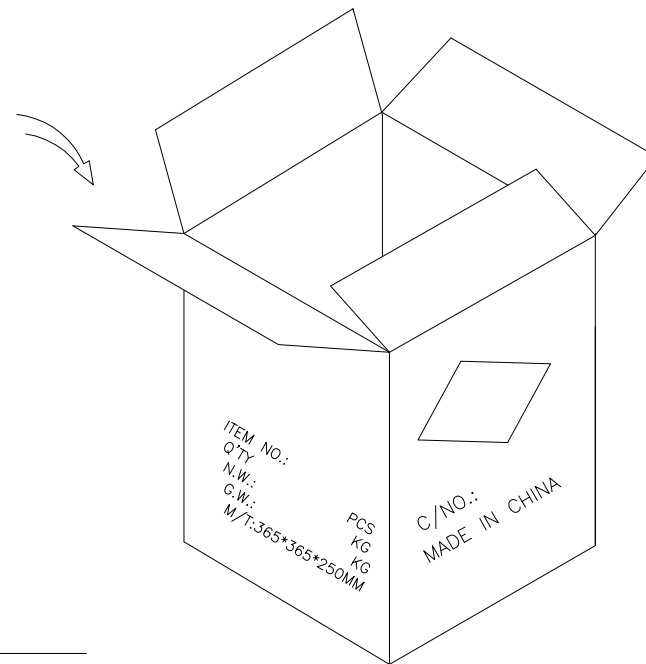
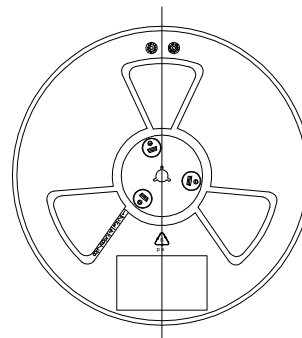
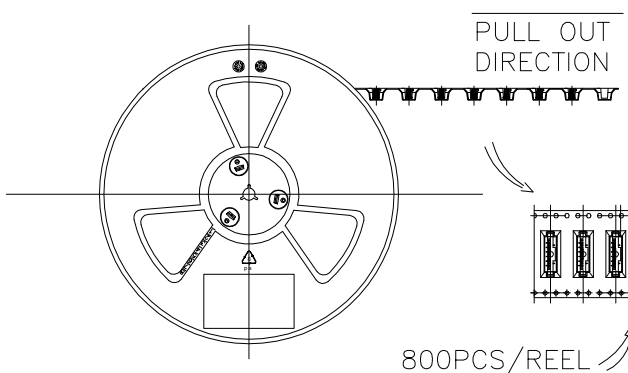


N=NUMBER OF CONTACTS
(APPLICABLE FPC/FFC)

REV.	REVISION RECORD	DATE	UNIT:mm	GENERAL TOLERANCES		SCALE: 1:1	NAME	DATE	PART.NO: F100355F0-2XX2XXX01	DWG.NO: ENDE05	 WanLian Teconology Co., Ltd
AO	NEW RELEASE	22.07.07		LINEAR	ANGLES	APPROVED	Wang_jr	22.07.07			
			0.0±0.35	X'REF±6°	DESIGNER	Han_Gao	22.07.07				
			0.00±0.25	X'±3°	DRAWN	LanXuan_Hou	22.07.07				
			SIZE: A4	0.000±0.10	X'X' ±2°	TITLE: FPC 1.0Pitch-H2.5立贴上/下接触抽屉式			REV: A0	SHEET: 2/3	

The product using material and processing must conform to the "WL-PZ-001" HSF technical standard control requirements

RoHS



產品包裝部分

PULL OUT DIRECTION

PULL OFF DIRECTION

前端空15PCS

末端空15PCS

CONTACTS	REEL SPEC	PCS/REEL	PCS/CARTON
4-8p	24mm	800PCS/REEL	7200PCS
9-14p	32mm	800PCS/REEL	5400PCS
15-26p	44mm	800PCS/REEL	4500PCS
27-34p	56mm	800PCS/REEL	3600PCS

REV.	REVISION RECORD	DATE		GENERAL TOLERANCES		SCALE:	NAME	DATE	PART.NO:	DWG.NO:	
AO	NEW RELEASE	22.07.07		LINEAR	ANGLES	1:1	Wang_jr	22.07.07			
			UNIT:mm	0.00±0.25	X'±3'	DESIGNER	Han_Gao	22.07.07	TITLE:		WanLian Teconology Co., Ltd REV: A0 SHEET: 3/3
			SIZE: A4	0.000±0.10	X'X' ±2'	DRAWN	LanXuan_Hou	22.07.07	FPC 1.0Pitch-H2.5立贴上/下接触抽屉式		